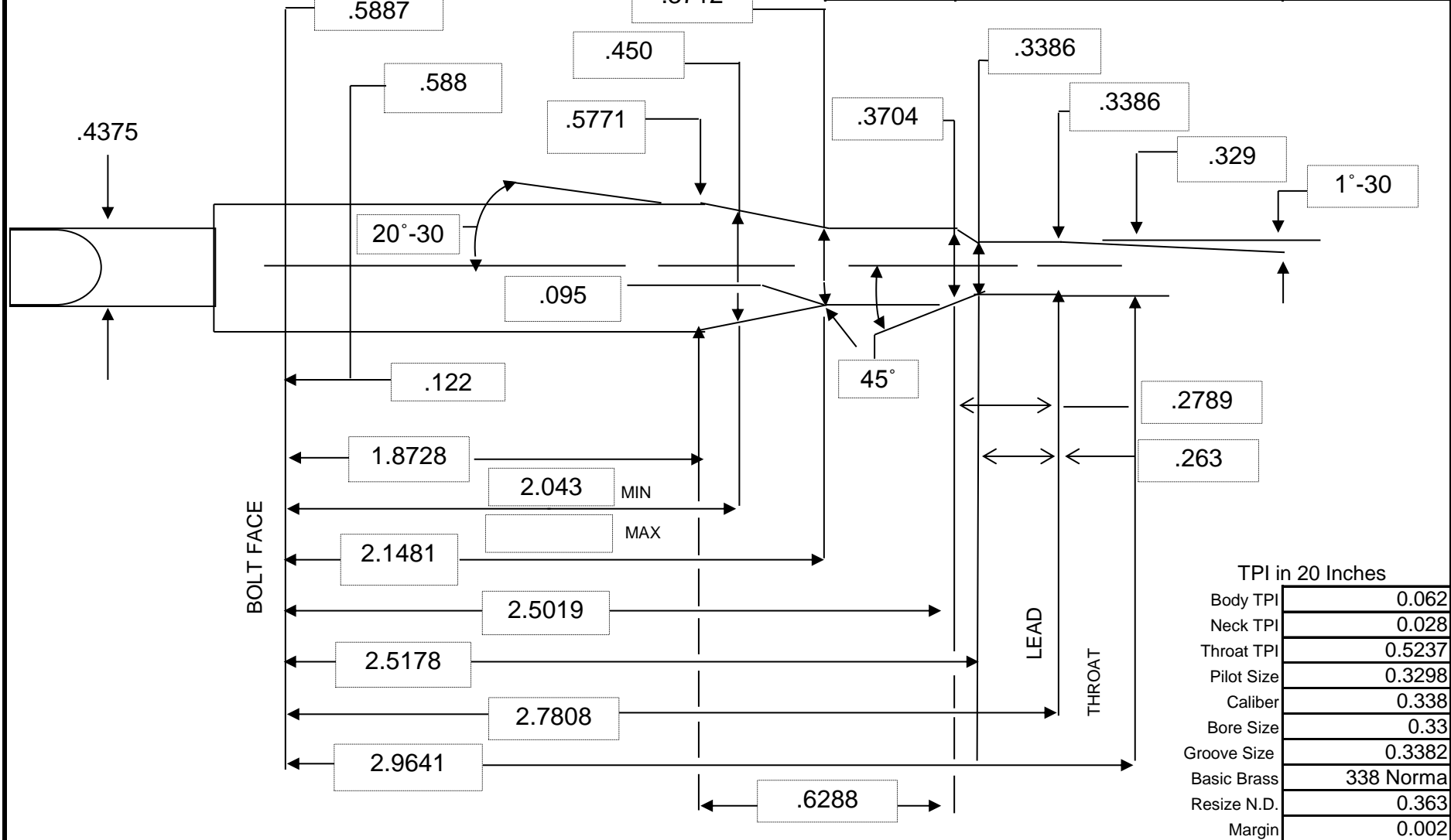


LTR	Description	Date
A	338 Norma Mag USA	8/3/10
(3.602 OAL)	Jimmie Sloan	



TPI in 20 Inches	
Body TPI	0.062
Neck TPI	0.028
Throat TPI	0.5237
Pilot Size	0.3298
Caliber	0.338
Bore Size	0.33
Groove Size	0.3382
Basic Brass	338 Norma
Resize N.D.	0.363
Margin	0.002

Tolerances	
Unless Otherwise Specified	
Fractional	± .001
Decimal	+ 0.0004
Angular	± 1/4
Lengths	+ .005

**PACIFIC TOOL**  
**598 Avenue C**  
**White City, OR 97503**  
**(541)826-5808**

MAT'L.	
DWG. BY	Dave Kiff
Checked	A.Kiff
Approved	Dave Kiff
Sheet	
Print #	32448